



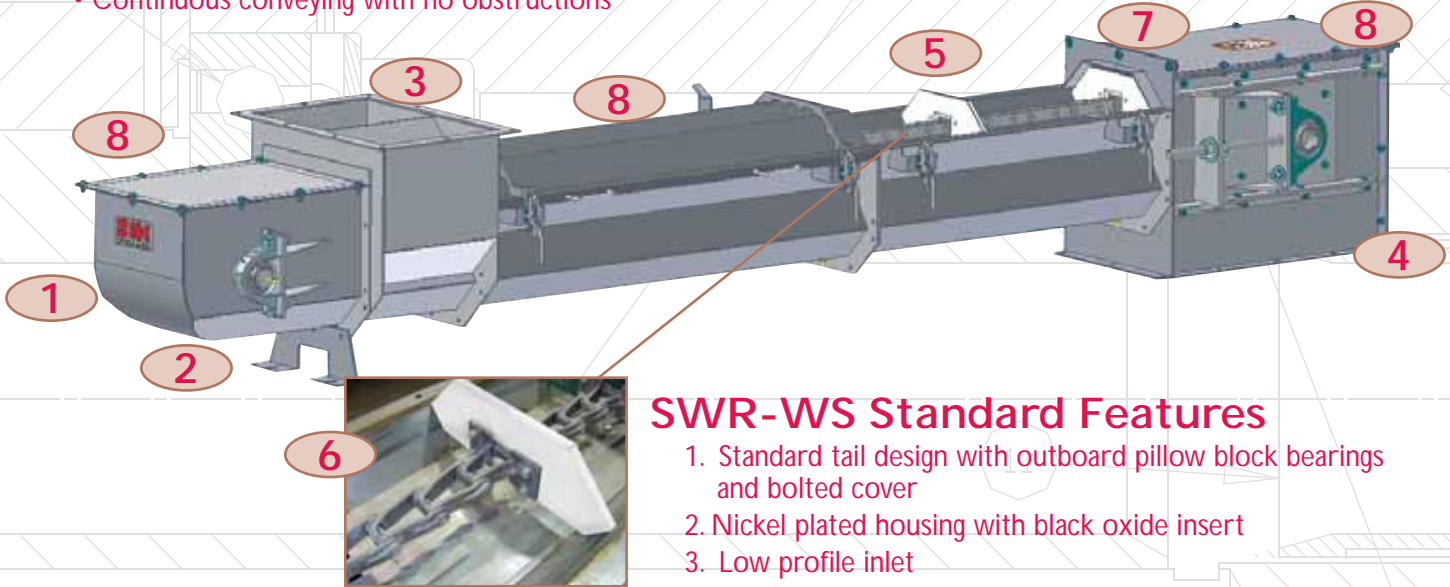
High Yield Drag Processing Conveyor SWR-WS

Standard Features

Lid removed only to show paddles.
Not to be operated with lids or guards removed.

Sidewall Return™ Drag Conveyor constructed for food waste management applications.

- Contained waste management
- Continuous conveying with no obstructions



SWR-WS Standard Features

1. Standard tail design with outboard pillow block bearings and bolted cover
2. Nickel plated housing with black oxide insert
3. Low profile inlet
4. Head with Take-up design, outboard pillow block bearings and bolted cover
5. Return paddles travel above waste product for totally enclosed waste management
6. Patented chain design
7. White UHMW paddles
8. Bolted lids

SWR-WS CAPACITY CHART USING STANDARD CHAIN

Model	F.P.M.	FT ³ /HR
09SWR-WS	50	950
	80	1520
	100	1900
12SWR-WS	50	1550
	80	2480
	100	3100
14SWR-WS	50	2200
	80	3520
	100	4400
16SWR-WS	50	2800
	80	4480
	100	5600
18SWR-WS	50	3650
	80	5480
	100	7300
24SWR-WS	50	6700
	80	10,720
	100	13,400

Products & Industry

All food processing waste - animal, mineral and vegetable

Visit our website: www.sidneymanufacturing.com for additional products at the link: "Products We Move with SWR Drags".

The Sidewall Return™ Surpasses All Other Drags.

Your product is moved gently, completely and cleanly!

- Bypass inlet allows product to bypass the return chain for entry into conveyor
- Totally enclosed
- Continuous product flow from horizontal to incline, and from left to right
- Full product discharge
- Economical for contained waste management



Covered under one or more of the following patents U.S. and Canadian:
RE 37,472E 407,174 6,142,291 2,281,988 Other patents pending

SWR-WS

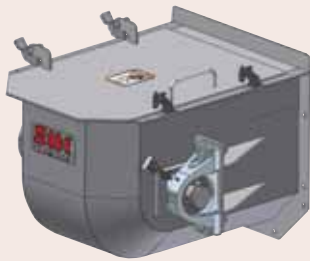
Available Options

Upgrades to Base Model

SWR-WS

A full line of options to customize the Sidewall Return™ Drag Conveyor and optimize your production process.

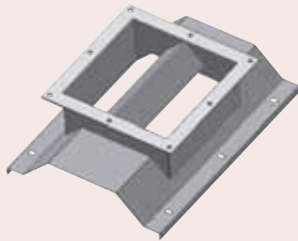
OPTIONS FOR ALL MODELS OF SWR-WS



FULLY CONTOURED TAIL WITH
HINGED COVER



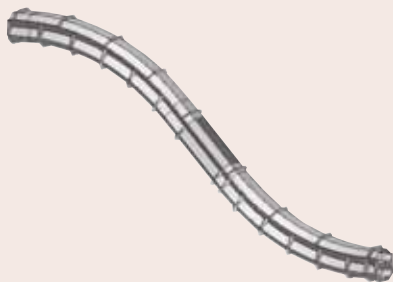
TAIL INLET FEED
IDEAL FOR LONG STRINGY PRODUCTS



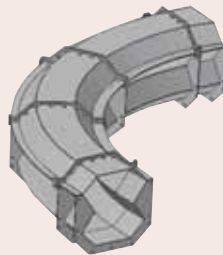
LOW PROFILE INLET



INTERMEDIATE DISCHARGE GATES



VERTICAL BEND SECTIONS



HORIZONTAL BEND SECTIONS

HINGED LIDS FOR EASY ACCESS

PLUG SWITCH OPTIONS

Description

NEMA 4

NEMA 7-9

MOTION SENSOR OPTION

Description

Slack Chain

PADDLE OPTIONS

Description

Nylon (for abrasive or high heat)

COVER OPTIONS

Description

Hinged and Clamped Cover



Double bend - tomato waste conveyor.



Sidney Manufacturing Company
Since 1859

P.O. Box 380, 405 North Main Ave.
Sidney, OH 45365-0380
Tel: (937) 492.4154 Fax: (937) 492.0919
www.sidneymanufacturing.com

800.482.3535