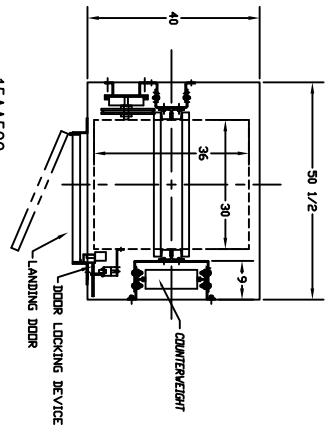
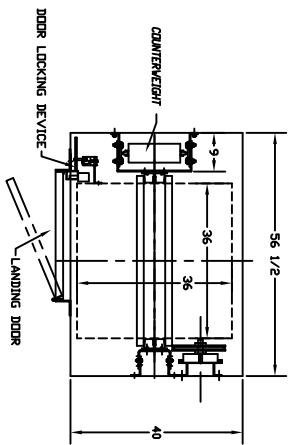


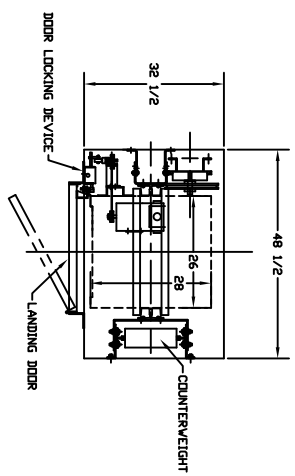
15AA300
 300 LB. HOISTWAY PLAN VIEW
 -36 1/2" BETWEEN TIP OF RAILS
 -CAB SIZE 28" WIDE X 28" DEEP
 -HOISTWAY OPENING 31 1/2" DEEP
 -HEAVY FRAME ANWELD LANDING DOOR HINGE RIGHT
 -COUNTERWEIGHT DOWN RIGHT
 -DOWNSPEED GOVERNOR LEFT REAR
 -9" TALL ADJUSTABLE VERTIBOX RAIL BRACKETS
 -6" TALL ADJUSTABLE GUIDE RAIL BRACKETS



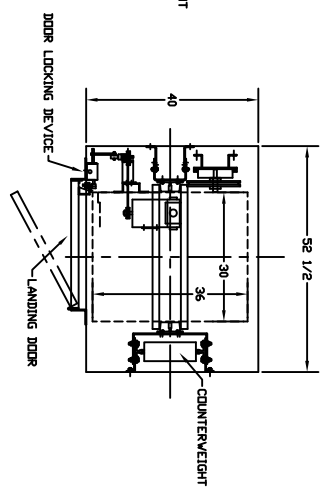
15AA500
 500 LB. HOISTWAY PLAN VIEW
 -30 1/2" BETWEEN TIP OF RAILS
 -CAB SIZE 36" WIDE X 36" DEEP
 -HOISTWAY OPENING 40" DEEP
 -HEAVY FRAME ANWELD LANDING DOOR HINGE LEFT
 -COUNTERWEIGHT DOWN RIGHT
 -DOWNSPEED GOVERNOR LEFT FRONT
 -9" TALL ADJUSTABLE VERTIBOX RAIL BRACKETS
 -6" TALL ADJUSTABLE GUIDE RAIL BRACKETS



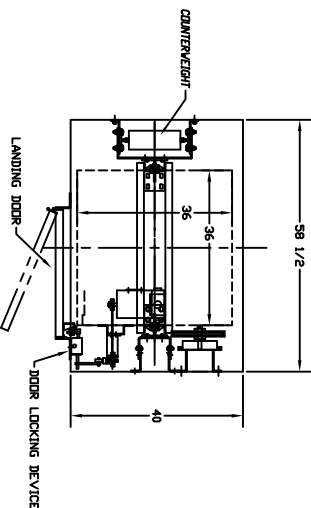
15AA650 / 15AA750
 580 & 250 LB. HOISTWAY PLAN VIEW
 -36 1/2" BETWEEN TIP OF RAILS
 -CAB SIZE 36" WIDE X 36" DEEP
 -HOISTWAY OPENING 40" DEEP
 -HEAVY FRAME ANWELD LANDING DOOR HINGE RIGHT
 -COUNTERWEIGHT DOWN LEFT
 -DOWNSPEED GOVERNOR RIGHT REAR
 -9" TALL ADJUSTABLE VERTIBOX RAIL BRACKETS
 -6" TALL ADJUSTABLE GUIDE RAIL BRACKETS



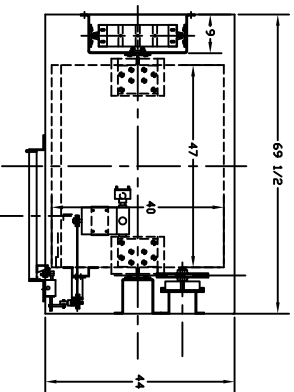
15AA300-RC
 300 LB. HOISTWAY PLAN VIEW
 -36 1/2" BETWEEN TIP OF RAILS
 -CAB SIZE 26" WIDE X 26" DEEP
 -HOISTWAY OPENING 48 1/2" DEEP
 -HEAVY FRAME ANWELD LANDING DOOR HINGE RIGHT



15AA500-RC / 57AA500-00
 300 LB. HOISTWAY PLAN VIEW
 -30 1/2" BETWEEN TIP OF RAILS
 -CAB SIZE 30" WIDE X 36" DEEP
 -HOISTWAY OPENING 52 1/2" DEEP
 -RIGID FRAME ANWELD LANDING DOOR HINGED RIGHT



15AA650-RC / 57AA650-00
15AA750-RC / 57AA750-00
 580 & 250 LB. HOISTWAY PLAN VIEW
 -36 1/2" BETWEEN TIP OF RAILS
 -CAB SIZE 36" WIDE X 36" DEEP
 -HOISTWAY OPENING 40" DEEP
 -HEAVY FRAME ANWELD LANDING DOOR HINGE LEFT



15AA1000-RC
 1000 LB. HOISTWAY PLAN VIEW
 -47 1/2" BETWEEN RAILS
 -CAB SIZE 47" WIDE X 40" DEEP
 -HOISTWAY OPENING 69 1/2" DEEP
 -HEAVY DUTY FRAME AND ANWELD LANDING DOORS

idney Manufacturing Company
 Custom Model Modification - producers of industrial products

NET

SPECIAL PURPOSE PERSONNEL

ELEVATORS

HOISTWAY DIMENSIONS

8490-01